

6 Combustion devices

■ Pilot burner

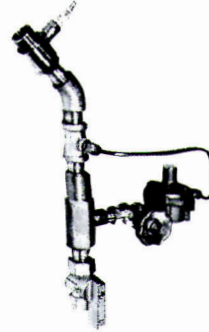
Usage

- Pilot
- Small heating

Features

Stable flame

Consists of burner tip with spark-plug, gas-air mixer, zero governor, adjustable gas and air cock, assembled



Specifications

Type	Combustion capacity kW (kcal/h)
P-15	2.3 (2,000)
P-20	9.3 (8,000)
P-25	17 (15,000)

*Combustion air: 6 kPa

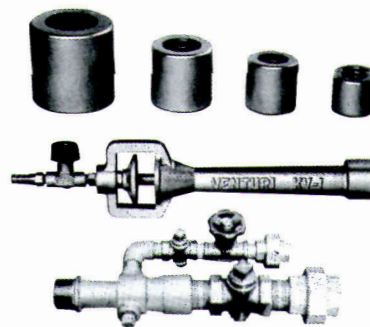
■ Stick-tight burner

Usage

- Ceramic calcination
- Glass furnaces
- Steel annealing

Features

Blowing nozzle designed for stick-type flame burner
Combustion available with Katsura Venturi, Mixer, or Aspirator mixer



Specifications

- Combination with Katsura Venturi Type KB

Type	Combustion capacity kW (kcal/h)	Type	Combustion capacity kW (kcal/h)
KVB200-1/2	1.2 - 5.6 (1,000 - 4,800)	KVB200-1 1/2	10 - 45 (8,300 - 38,400)
KVB200-3/4	1.6 - 7.6 (1,400 - 6,500)	KVB200-2	12 - 56 (10,300 - 47,800)
KVB200-1	2.7 - 12 (2,300 - 10,700)	KVB200-3	18 - 81 (15,100 - 70,000)
KVB200-1 1/4	5.6 - 26 (4,800 - 22,400)		

*Gas pressure: 2.8 - 60 kPa

- Combination with Katsura Mixer Type HM

Type	Combustion capacity kW (kcal/h)	Type	Combustion capacity kW (kcal/h)
HMB200-3/4	10 - 31 (8,500 - 26,600)	HMB200-1 1/2	66 - 167 (56,400 - 144,000)
HMB200-1	22 - 63 (18,500 - 54,000)	HMB200-2	92 - 237 (79,200 - 204,000)
HMB200-1 1/4	38 - 101 (32,400 - 86,700)	HMB200-3	220 - 488 (189,000 - 420,000)

*Combustion air: 1 - 4.5 kPa